

*impress yourself.*



# TANCAN

Nothing but sun.



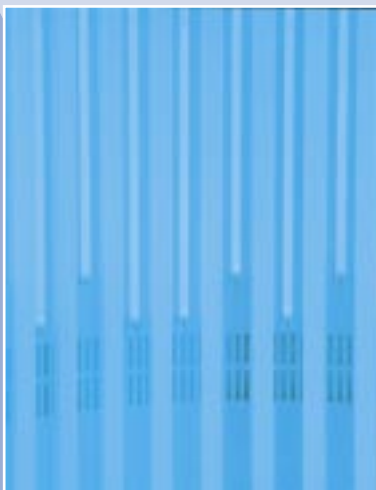
## Allround tanning in the smallest area

Compact design and perfect technology. The Dr. Kern vertical tanning unit, TANCAN offers the ultimate all over tan in the smallest area.

Using TANCAN, you get absolutely great tanning without any disturbing white spots. It keeps your customers cool with the integrated powerful cooling system at the top.

Tanning has never been so hygienic because there is no direct physical contact with the acrylics. The operating costs are low. The UV reflector lamps (type Dr Kern Excellent) guarantee an intensive, but gentle all over tan from head to foot. Low costs, long lifetime and a small footprint space make a great argument for the TANCAN. The ideal sunbed especially for small tanning salons.

TANCAN is an example of the high quality workmanship "Made in Germany" and impresses by solid quality and attractive design, and all this combined with a favourable price.



TANCAN 4000: Facial tanning with 30 spaghetti-reflector-lamps at 25 W for an intensive and long continuing tan of the face and the upper body.



The body fan and the perfect allround tanning will amaze your customers.



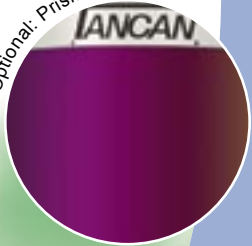
## Your benefits:

- Easy to enter and exit
- The acrylic safety shield guarantees safe tanning
- Digital timer
- Connection for coin box
- The unit features a central air exhaust system
- Modern, ambitious design available in individual effect-colours
- Loudspeaker-system standard
- Variable body-ventilation

### Optional:

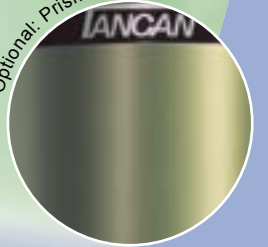
Appliance-colour decor prism red  
Appliance-colour decor prism gold

Optional: Prism red



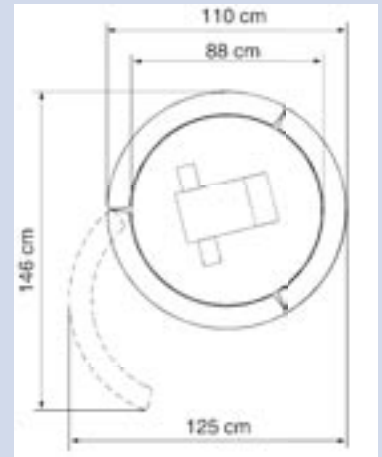
Because of the special coating Of the decor prism red and prism gold, fantastic colour effects arise. Depending on the angle of vision and incidence of light, different colour effects are seen.

Optional: Prism gold



The 30 minute digital timer is adjustable Individually and relates the remaining tanning runtime.

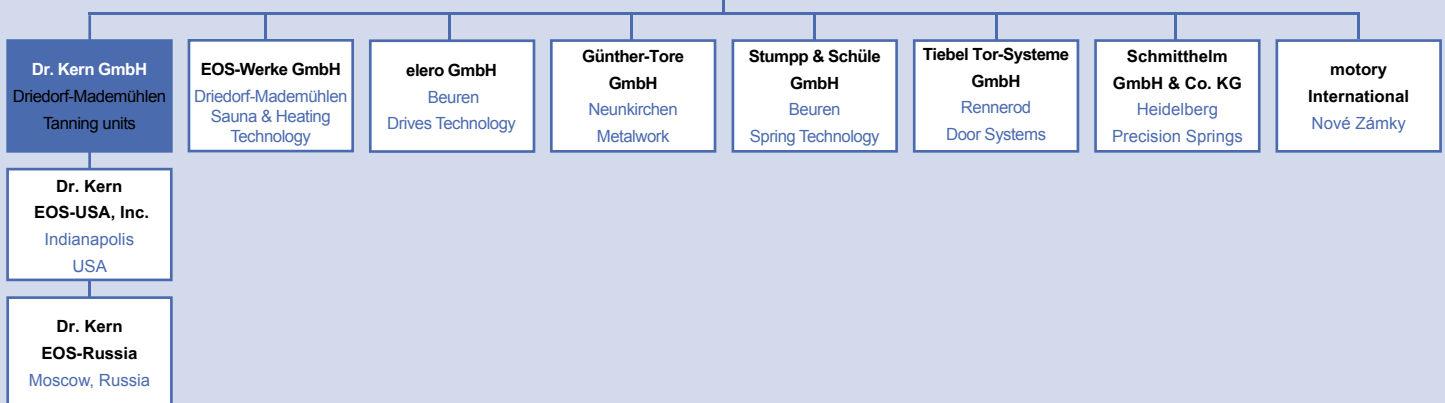
| Technical information TANCAN |   |   |
|------------------------------|---|---|
| Model                        | 4000  | 8000  |
| Code                         | M953033   | M952999   |
| Tubing                       | 33 x 100 W<br>30 x 25 W                           | 48 x 160 W<br>–                                   |
| Lamp length                  | 1,76 m  | 1,76 m  |
| Output approx.               | 4700 W  | 8500 W  |
| Power supply                 | 400 V   | 400 V   |
| Fuse                         | 3 x 16 A  | 3 x 16 A  |
| Timing                       | built in<br>External timer possible               | built in<br>External timer possible               |
| Size in cm                   | 146 x 125 x 245                                   | 146 x 125 x 245                                   |
| Standard colour              | white-aluminium RAL 9006<br>frame parts silver    | white-aluminium RAL 9006<br>frame parts silver    |
| Optional colour decor        | Effectcolour Prism red<br>Effectcolour Prism gold | Effectcolour Prism red<br>Effectcolour Prism gold |
| Optional colour frame        | silver<br>black                                   | silver<br>black                                   |



Total height approx: 245 cm

Minimum cabin size: 2,50 m

## Günther-Gruppe



Your Dr. Kern specialist:

Dr. Kern GmbH  
Adolf-Weiß-Straße 43  
35759 Driedorf-Mademühlen, Germany  
Telefon: +49 (0)2775 82-60  
Telefax: +49 (0)2775 82-483  
info@dr-kern.de · www.dr-kern.de